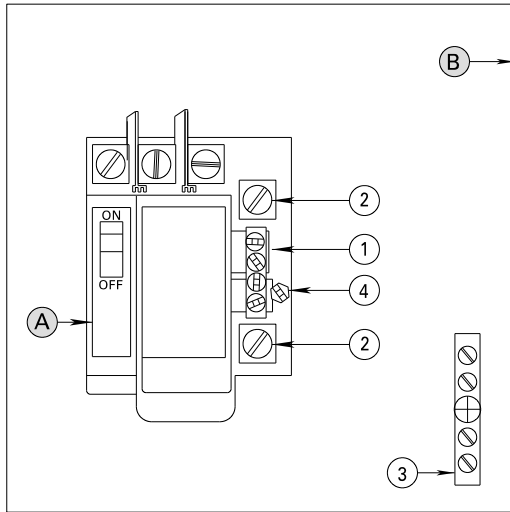
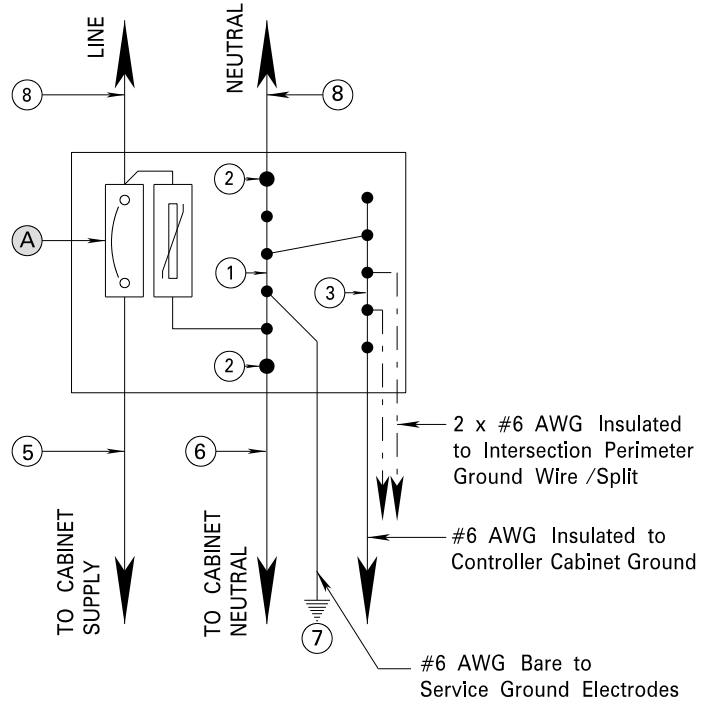


EQUIPMENT LAYOUT



SCHEMATIC from Utility Supply



ELECTRICAL EQUIPMENT LIST AND TABLES

- ① Solid neutral bus
- ② Neutral bus termination lugs
- ③ Equipment ground bus
- ④ Box bonding screw
- ⑤ Black #8 AWG Cu Stranded Conductor wire
- ⑥ White #8 AWG Cu Stranded Conductor wire
- ⑦ Grounding Grid
- ⑧ Hydro feed cabling

LEGEND

- — Denotes terminal connection
- - - Denotes field wiring (sizes are indicated elsewhere within the contract drawings)

	Part	Traffic Signals	PXO's and Flashing Becons
Ⓐ	Main circuit breaker	120V, 30A, 1 pole	120V, 15A, 1 pole
Ⓑ	Weatherproof Load Centre	Square `D` QO403L100RB or equiv	Square `D` QO403L100RB or equiv



POWER SUPPLY DISCONNECT WIRING DIAGRAM

SCALE
NOT TO SCALE

REVISION DATE
SEPTEMBER, 2024

Traffic Management Section

APPROVED BY:

--

DRAWN BY:

T.M.S.

PLAN No.

806.005